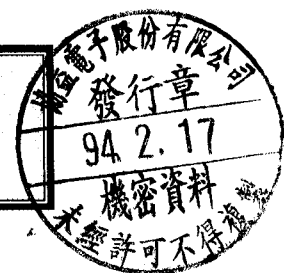


SPECIFICATION FOR APPROVAL

Customer :
協益歐洲



MODEL NAME: HPC-420-302 DF REV:C0

PART NO: 91.42032.B04

ISSUE DATE : 2005.02.17

Customer Approval

Approved By :	Checked By :
---------------	--------------

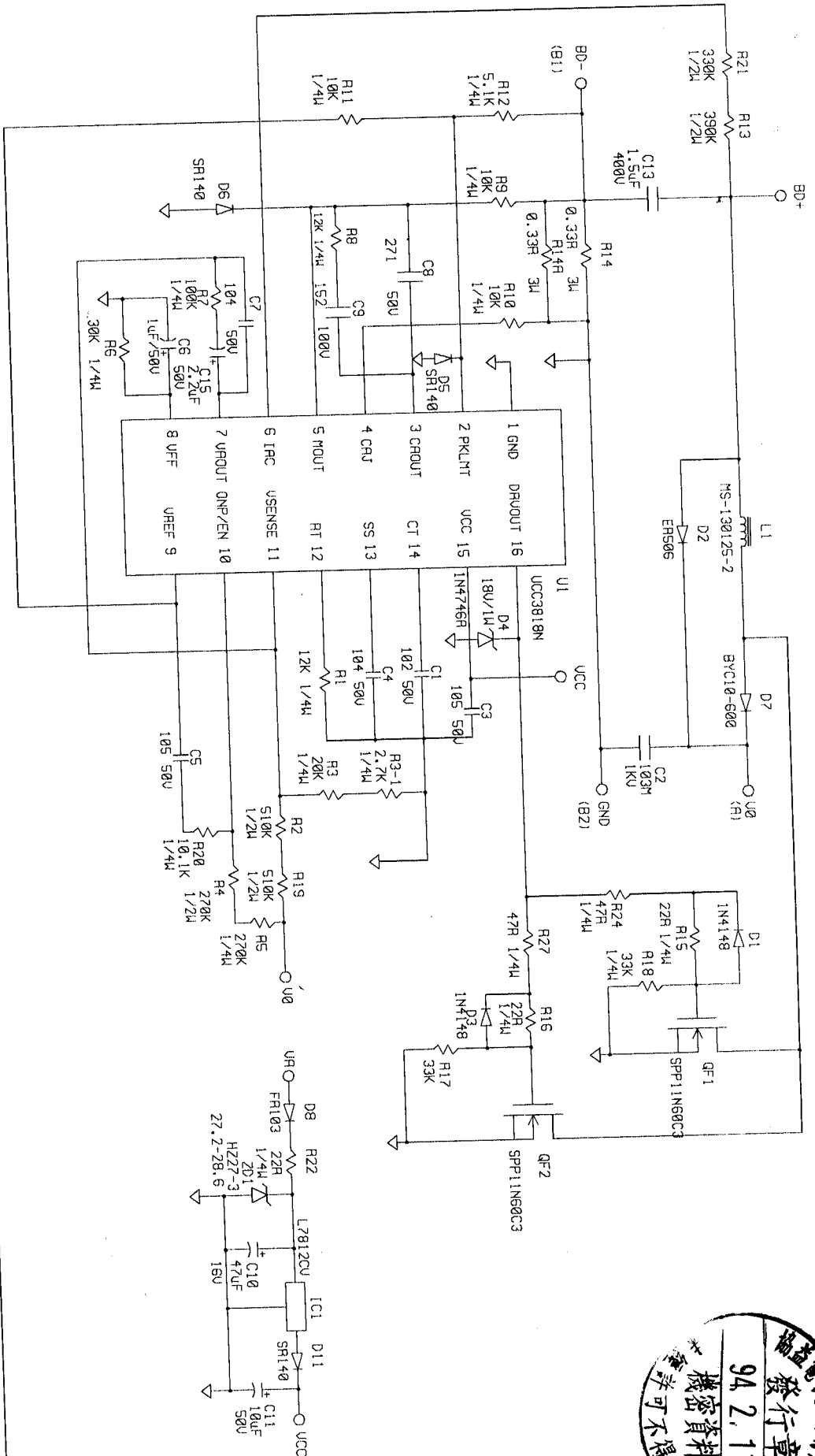
* MANUFACTURER / 製造商 *

SIRTEC INTERNATIONAL CO., LTD.

協益電子股份有限公司

ADDRESS/地址 : 台北市內湖區基湖路 35 巷 49 號 3 樓

PHONE : 886-2-2659-2535 FAX : 886-2-2659-2265



1	GND	DRVOUT	16
2	PKLNT	UCC	15
3	CROUT	CT	14
4	CRJ	SS	13
5	MOUT	RT	12
6	IAC	USENSE	11
7	VROUT	QNP/EN	10
8	VFF	VREF	9

SIRTEC INTERNATIONAL CO., LTD.

DRAWING BY	Clastina	SCHEMATIC	PCB. NAME	N0357-1
CHECKED BY	<i>[Signature]</i>	REV	REV	A1
APPROVED BY	<i>Calvin Kwok</i>	DWG NO	02.02380.024	RELEASE DATE
				2005.02.02

