

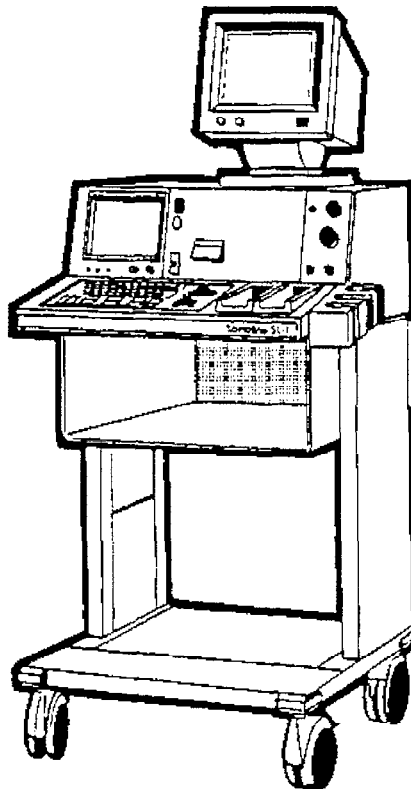
# SIEMENS

weiss/white: 44 83 418 LH033/PE9...  
44 83 426 LH033/PA9...  
44 83 657 LH033/PE9...  
44 82 451 LH033/NE8...  
44 82 469 LH033/NA8...

## SONOLINE SL-1

braun/brown: 88 18 023 LH033/HE6...  
88 18 031 LH033/HA8...

**US**



### Spare Parts List

OEM Products:  
US-OEM.081.01.xx

Transducers:  
US-000.081.01.xx

27 November 1996

**Reg. 8**

Replaces:  
U3-030.081.01.05

**U3-030.081.01.06**

Wiedergabe sowie Vervielfältigung dieser Unterlage, Verwertung und Mitteilung ihres Inhalts nicht gestattet, soweit nicht ausdrücklich zugestanden. Zuwiderhandlungen verpflichten zu Schadenersatz. Alle Rechte für den Fall der Patenterteilung oder GM-Eintragung vorbehalten.

Copyright (C) Siemens AG 1995  
Proprietary data, company confidential. All rights reserved.  
Confié à titre de secret d'entreprise. Tous droits réservés.  
Confiado como secreto industrial. Nos reservamos todos los derechos.

## Revision History

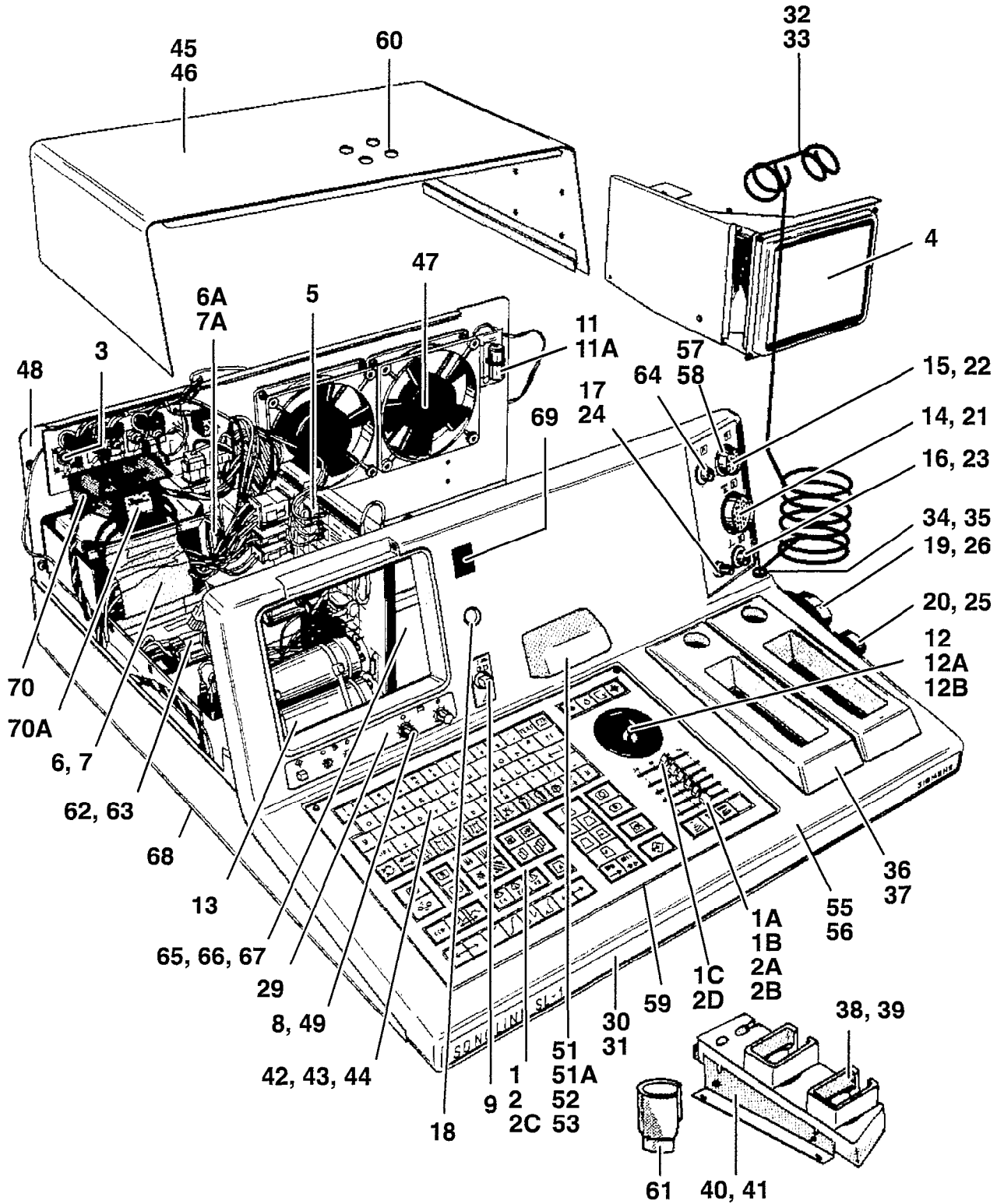
Document number	Date	Description
U3-030.081.01.06	27 November 1996	new layout (added: Revision History) added new and replaced old spare parts

## Table of Contents

<b>Main Frame</b> .....	<b>5</b>
<b>Main Frame</b> .....	<b>7</b>
<b>Main Frame</b> .....	<b>9</b>
<b>Monitor</b> .....	<b>11</b>
<b>Card File</b> .....	<b>13</b>
<b>Carriage</b> .....	<b>15</b>
<b>Camera</b> .....	<b>17</b>
<b>Accessories</b> .....	<b>19</b>
<b>SONOLINE SL-1 (Lithostar version)</b> .....	<b>21</b>

1	A09 OPERATOR ASSY (REP) OPERATOR ASSY.	SI	A09 BRAUN/BROWN	47 76 613 LE007	1,8KG
	SOFTWARE A09 OPERAT SOFTWARE A09 OPERAT.	SI	A09/U6	47 86 059 LE007	30,0G
	TASTER,KPL. KEY,CPL	SI		94 53 341 EE004	1,0G
	QUARZ OSC.4.9152 MHZ QUARZ OSC.4.9152 MHZ	SI	Y1/A24,A09	99 07 064 LE005	4,0G
1A	KNOPF F.SCHIEBEWID. KNOB	SI	6 BRAUN/BROWN	74 64 829 E1080	1,0G
1B	SLIDE POTI SLIDE POTI	SI	5 10K LIN 45MM.	15 62 078 LE010	5,0G
1C	SCHIEBEWIDERSTAND SLIDE POT,45MM,10K,20%	SI	10K	77 14 074 B0601	38,0G
2	BEDIENFELD,KPL. (REP) OPERATOR ASSY	SI	A09 WEISS/WHITE	47 99 094 LE007	2,2KG
	SOFTWARE A09 OPERAT SOFTWARE A09 OPERAT.	SI	A09/U6	47 86 059 LE007	30,0G
	SWITCH WITH LED SWITCH WITH LED	SI		99 09 300 LE007	1,0G
	QUARZ OSC.4.9152 MHZ QUARZ OSC.4.9152 MHZ	SI	Y1/A24,A09	99 07 064 LE005	4,0G
2A	KNOPF KNOB	SI	6 GRAU/GREY	99 09 292 LE007	24,1G
2B	SLIDE POTI SLIDE POTI	SI	10K LIN 45MM	15 62 078 LE010	5,0G
2C	FACE SHEET FACE SHEET	SI	WEISS/WHITE	99 09 284 LE007	900,0G
2D	SCHIEBEWIDERSTAND SLIDE POT,45MM,10K,20%	SI	10K	77 14 074 B0601	38,0G
3	A03-1 I/O FILTER BOARD	SI	A3-1	47 76 571 LE007	180,0G
4	A15 DISPLAY ASSY (REP) DISPLAY ASSY.	SI	A15	47 76 688 LE007	2,7KG
5	A04 POWER SUPPLY (REP) POWER SUPPLY	SI	A4 EIA/CCIR	47 76 589 LE007	1,5KG
	SI-GLEICHRICHTER EGB RECTIFIER	SI	S15VB20	30 45 010 B2229	20,0G
	DIODE;SCHOTTKY EGB DIODE	SI	CR2 S30SC4F	30 55 241 B2205	14,0G
	G-SCHMELZEINSATZ FUSE ELEMENT	SI	F1 2,5A TRAEG	10 77 437 B1302	10,0G
	G-SCHMELZEINSATZ FUSE	SI	F2,F3 5A TRAEG CCIR	30 15 112 B1302	0,8G
	G-SCHMELZEINSATZ FUSE	SI	2 F2,F3 6,3A EIA	30 56 272 B1302	12,0G
	G-SCHMELZEINSATZ FUSE ELEMENT	SI	F4 1,6A TRAEG	10 77 429 B1302	1,0G
	G-SCHMELZEINSATZ FUSE	SI	F5 2A TRAEG	10 80 522 B1302	0,8G
	G-SCHMELZEINSATZ FUSE	SI	4 F6-F9 315MA TRAEG	30 10 048 B1302	0,8G
6	XFRM EUROPEAN C (REP) XFRM EUROPEAN C	SI	A4-1 EUROPEAN	99 05 712 LE007	5,5KG
	G-SCHMELZEINSATZ FUSE	SI	2 F1,F2 2A TRAEG	30 17 035 B1302	1,0G
6A	NETZEINGANGSDOSE POWER SOCKET	SI		47 90 820 LE007	20,0G
7	XFRM AMERICAN C (REP) XFRM AMERICAN C	SI	A4-1 AMERICAN	99 05 720 LE007	5,6KG
	G-SCHMELZEINSATZ FUSE	SI	2 F1,F2 3,15A TRAEG	10 84 714 B1302	1,0G
7A	NETZEINGANGSDOSE POWER SOCKET	SI		47 90 820 LE007	20,0G
8	A16 DISPLAY POTI BOARD	SI	A16	47 76 696 LE007	10,0G
9	A5 POWER SWITCH ASSY POWER SWITCH	SI	A5	47 76 738 LE007	120,0G

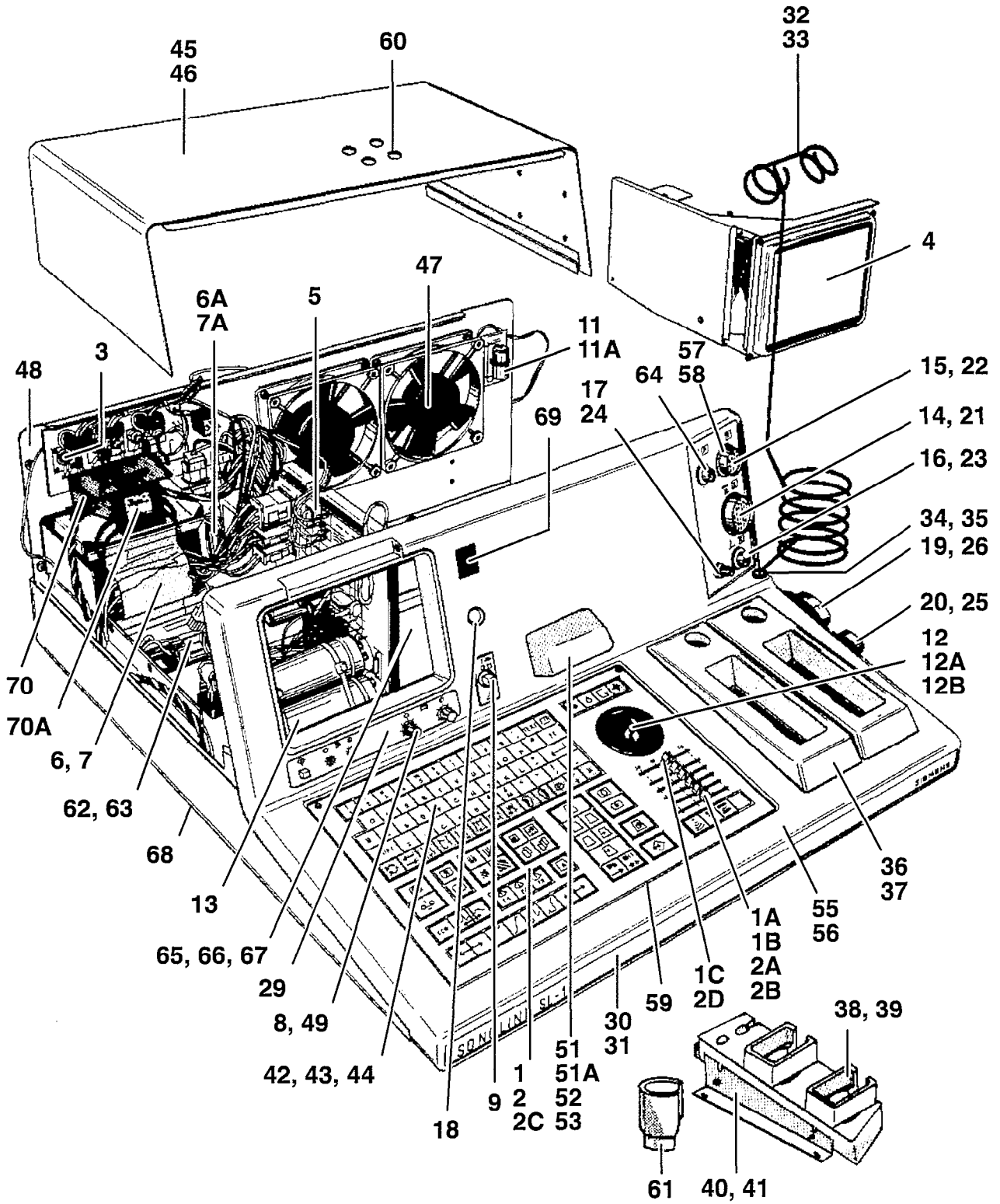
# Main Frame



see also pages 6 and 8

11	A20 BATTERY PACK PCB A20 BATTERY PACK PCB	SI	A20	15 63 613 LE013	27,0G
11A	LITHIUM-BATTERIE LITHIUM BATTERY	SI		99 06 496 LE007	20,0G
12	TRACKBALL EGB ASSEMBLY GROUP	SI	A10-1	47 70 608 LE005	460,0G
12A	ENCODERACHSE T-BALL AXLE	SI		47 90 895 LE005	32,0G
12B	TRACKBALL-HOUSING HOUSING	SI		47 90 903 LE005	24,0G
13	DISPLAY TEMPLATE DISPLAY TEMPLATE	SI		47 76 811 LE007	10,0G
14	LINEAR-CABLE-1 ASSY LINEAR CABLE		BRAUN/BROWN	47 76 639 LE007	180,0G
15	SECTOR-CABLE-1 SECTOR CABLE		BRAUN/BROWN	47 76 647 LE007	200,0G
16	ECG-CABLE ASSY ECG CABLE	SI	BRAUN/BROWN	47 76 654 LE007	50,0G
17	M-CABLE ASSY M-CABLE	SI	BRAUN/BROWN	47 76 662 LE007	70,0G
18	CAMERA CABLE ASSY CAMERA CABLE	SI	BRAUN/BROWN	47 76 670 LE007	40,0G
19	LINEAR CABLE-2 LINEAR CABLE 2		BRAUN/BROWN	47 76 753 LE007	400,0G
20	SECTOR CABLE-2 SECTOR CABLE 2		BRAUN/BROWN	47 76 761 LE007	220,0G
21	LINEAR-KABEL-1,KPL. LINEAR CABLE-1,CPL.	SI	WEISS/WHITE	47 99 144 LE007	291,0G
22	SEKTOR-KABEL-1,KPL. SECTOR-CABLE-1,CPL	SI	WEISS/WHITE	47 99 128 LE007	260,0G
23	EKG-KABEL,KPL. ECG CABLE,KPL	SI	WEISS/WHITE	47 99 110 LE007	122,0G
24	M-KABEL,KPL. M-CABLE,CPL	SI	WEISS/WHITE	47 99 102 LE007	135,0G
25	SEKTOR-KABEL-2,KPL. SECTOR-CABLE-2,CPL,	SI	WEISS/WHITE	47 99 136 LE007	240,0G
26	LINEAR-KABEL-2,KPL. LINEAR CABLE-2,CPL.	SI	WEISS/WHITE	47 99 151 LE007	240,0G
29	DISP.POT LABEL BLANK DISP.POT LABEL BLANK	SI	WEISS/WHITE	15 57 227 LE007	2,1G
30	LOGO-STRIP STRIPE	SI	ORANGE/ORANGE	47 90 739 LE007	140,0G
31	LOGO-STRIP STRIPE	SI	WEISS/WHITE	99 07 767 LE007	20,0G
32	KABELHALTER CABLE HOLDER		SCHWARZ/BLACK	47 90 838 LE007	
33	KABELHALTER CABLE HOLDER	SI	SILBER/SILVER	99 07 734 LE007	210,0G
34	KABELHALTERBUCHSE BUSH	SI	SCHWARZ/BLACK	47 90 234 LE007	7,0G
35	KABELHALTERBUCHSE BUSH	SI	WEISS/WHITE	99 07 189 LE007	1,8G
36	APPLIKATORHALT. LIN. HOLDER	SI	BRAUN/BROWN	47 90 887 LE007	400,0G
37	PROB.HOLDER;LINEAR PROB.HOLDER;LINEAR	SI	WEISS/WHITE	94 51 873 LE008	450,0G
38	APPLIKATORH. INLINE HOLDER	SI	BRAUN/BROWN	47 91 711 EE001	1,4KG
39	APPLIKATORH.INLINE HOLDER	SI	WEISS/WHITE	47 99 169 LE007	1,3KG
40	WINKEL F. APPL.HALT. ANGLE	SI	BRAUN/BROWN	47 92 602 LE007	160,0G
41	WINKEL F.APPL.HALT. ANGLE FAPPL.HOLDER	SI	WEISS/WHITE	99 08 997 LE005	80,0G
42	OVERLAYSHEET BLANK OVERLAYSHEET BLANK	SI		47 92 420 LE007	20,0G
43	OVERLAYSHEET DEUTSCH OVERLAYSHEET GERMAN			47 92 438 LE007	30,0G
44	OVERLAYSHEET ENGL. OVERLAYSHEET ENGL.	SI		47 92 446 LE007	10,0G

# Main Frame

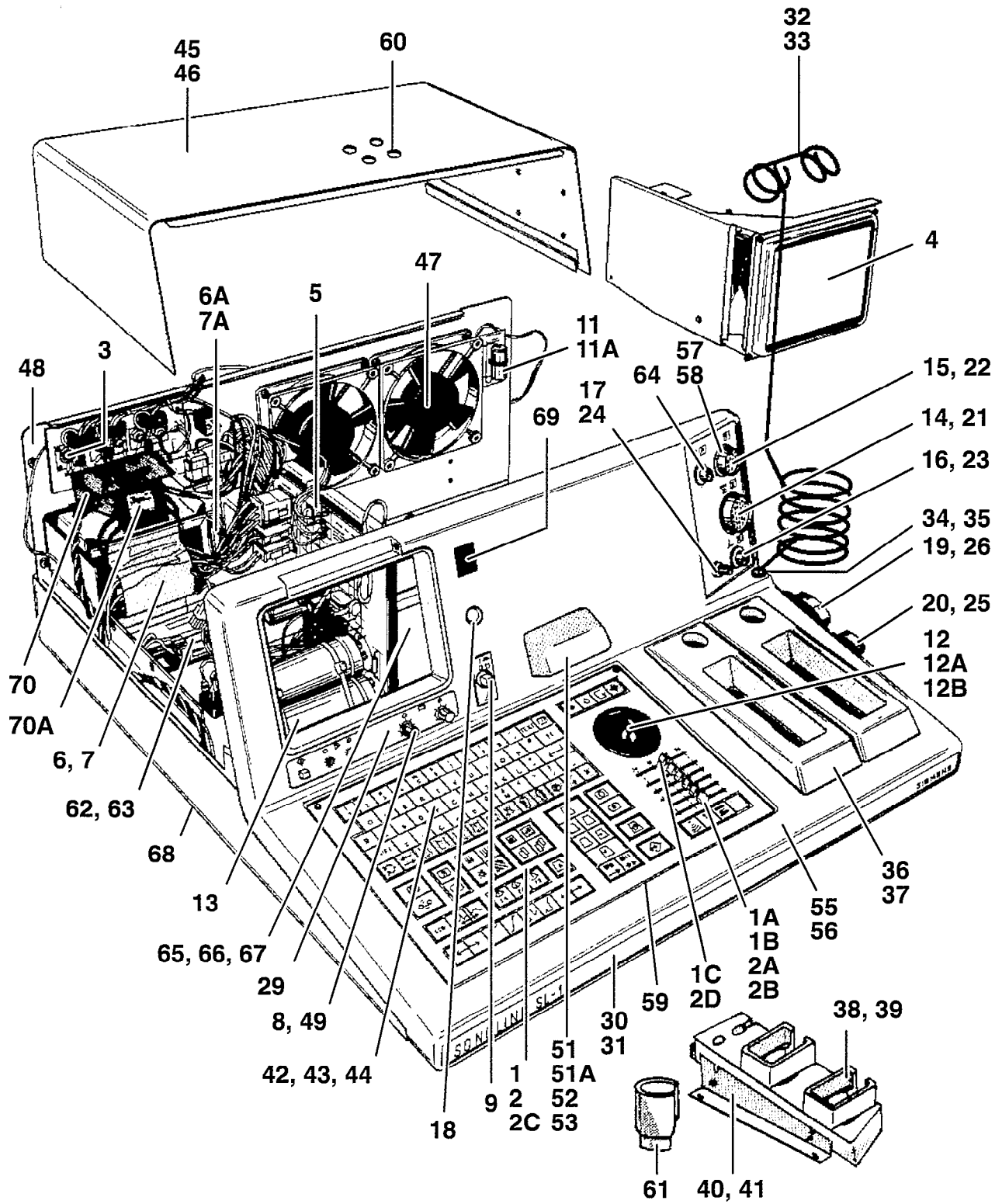


see also pages 4 and 8

45	GEHAEUSEDECKEL LID	S!		47 92 453 LE007	2,5KG
46	GEHAEUSEDECKEL LID	S!	BRAUN/BROWN	99 07 171 LE007	15,0KG
47	LUEFTER FAN	S!	2	47 92 461 LE007	300,0G
48	RUECKWAND REAR COVER	S!		15 59 884 LE007	892,0G
49	KNOPF KNOB	S!	2	47 41 625 EE441	2,4G
51	BELEUCHTUNG-KEYBOARD LAMP	S!		47 92 685 LE007	30,0G
51A	GLUEHLAMPE LAMP	S!	BRAUN/BROWN 12V 100MA	30 54 509 B1501	1,0G
52	BELEUCHTUNG TASTATUR LIGHTING KEYBOARD	S!		99 07 775 LE007	60,0G
53	BUCHSE F. BELEUCHT. BUSH	S!	2	47 92 677 LE007	2,0G
55	FRONT-RAHMEN FRAME	S!		47 93 865 LE007	2,5KG
56	FRONT-RAHMEN FRAME	S!	BRAUN/BROWN WEISS/WHITE	47 99 177 LE007	3,0KG
57	ABDECKUNG (BUCHSEN) COVER	S!		47 92 594 LE007	70,0G
58	ABDECKUNG (BUCHSEN) COVER	S!	BRAUN/BROWN WEISS/WHITE	99 08 856 LE005	5,0G
59	PLASTIKSTREIFEN 4STK STRIPE	S!	4	47 90 721 LE007	29,0G
60	LABEL BLANK D10 LABEL BLANK D10	S!	4	99 07 163 LE007	10,0G
61	APPLIKATORHALTER APPLICATOR HOLDER ENDO-P	S!		88 73 895 L1009	50,0G
62	SICHERUNGSHALT.F3/F4 FUSE HOLDER	S!	2 F3/F4	94 56 567 LE007	9,0G
63	G-SCHMELZEINSATZ FUSE	S!	2 F3/F4 20A TRAEG	31 75 841 B1302	10,0G
64	SECTOR SUB CONNECTOR SECTOR SUB CONNECTOR	S!		99 05 738 LE007	100,0G
65	BLINDPLATTE BLANK DISK	S!		99 07 759 LE007	254,0G
66	SCHEIBE DISK	S!		99 07 742 LE007	60,0G
67	SCHEIBE DISK	S!	GRAU/GREY KLAR/CLEAR	47 92 768 LE007	75,0G
68	GEHAEUSEBODEN BOTTOM	S!		15 60 700 LE007	11,0KG
69	A24-1 RECEIVER A24-1 RECEIVER	S!		47 76 712 LE007	20,0G
70	MOD.KIT - FUSE F3,F4 MOD.KIT - FUSE F3,F4	S!	A24-1	15 56 211 LE007	380,0G
70A	SICHERUNGSAUTOMAT CIRCUIT PROTECTOR	S!		94 55 916 LE009	119,0G
			CP32VF/200		



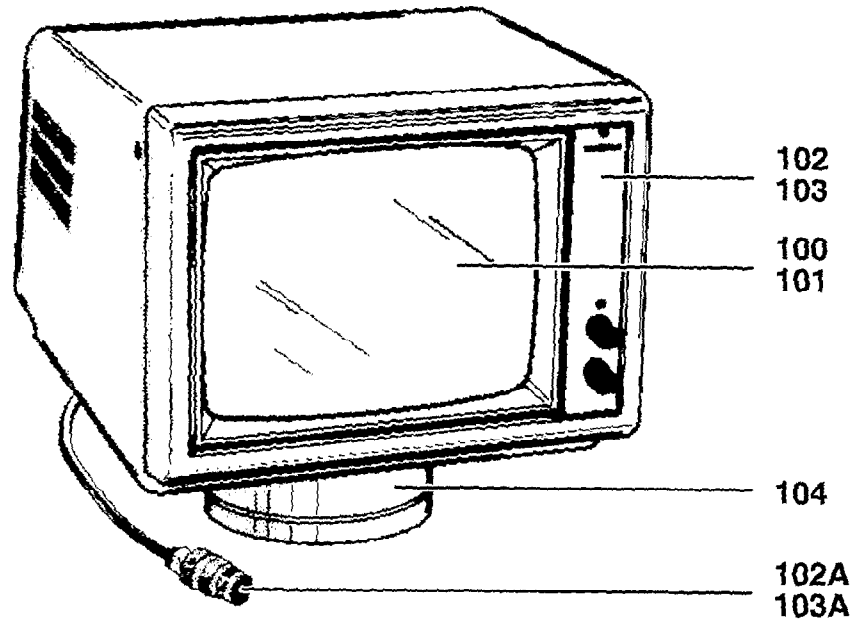
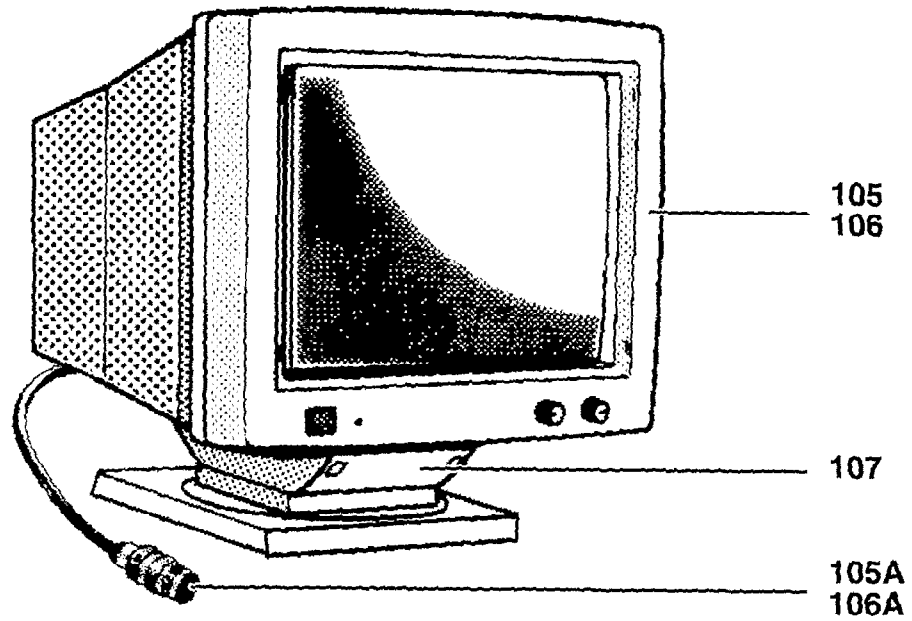
# Main Frame



see also pages 4 and 6

100	FILTERSCHEIBEN 23 CM (9") FILTER DISKS 23 CM (9")	S!	ALT/OLD	85 77 165 LH032	260,0G
101	FILTERSCHEIBE DISPLAY FILTER	S!	NEU/NEW	94 51 840 LE008	198,0G
102	MONITOR (REP) MONITOR	S!	9" CCIR BRAUN/BROWN	47 76 795 LE007	4,6KG
102A	STECKER PLUG	S!		30 50 002 B1945	26,0G
103	MONITOR 9" EIA (REP) MONITOR 9" EIA	S!	9" EIA BRAUN/BROWN	57 26 245 LE888	
103A	STECKER PLUG	S!		30 50 002 B1945	26,0G
104	SWIVEL PEDESTAL SWIVEL PEDESTAL	S!		47 76 803 LE007	820,0G
105	MONITOR 23 CM (9")/CCIR # SL-1 MONITOR 23 CM (9"),CCIR#SL-1	S!	9" CCIR WEISS/WHITE	44 83 533 LH033	6,9KG
	MONITOR 23CM(9")CCIR (REP) MONITOR	S!	9" CCIR WEISS/WHITE	57 25 346 LE888	6,3KG
105A	STECKER PLUG	S!		30 50 002 B1945	26,0G
106	MONITOR 23 CM (9")/EIA # SL-1 MONITOR 23 CM (9"),EIA#SL-1	S!	9" EIA WEISS/WHITE	44 83 541 LH033	7,0KG
	MONITOR 23CM(9")EIA (REP) MONITOR	S!	9" EIA WEISS/WHITE	57 25 353 LE888	6,0KG
106A	STECKER PLUG	S!		30 50 002 B1945	26,0G
107	SWIVEL PEDESTAL SWIVEL PEDESTAL	S!		99 07 726 LE007	600,0G
108	MONITOR 12" EIA (REP) MONITOR 12" EIA	S!	12" EIA WEISS/WHITE	57 26 278 LE888	

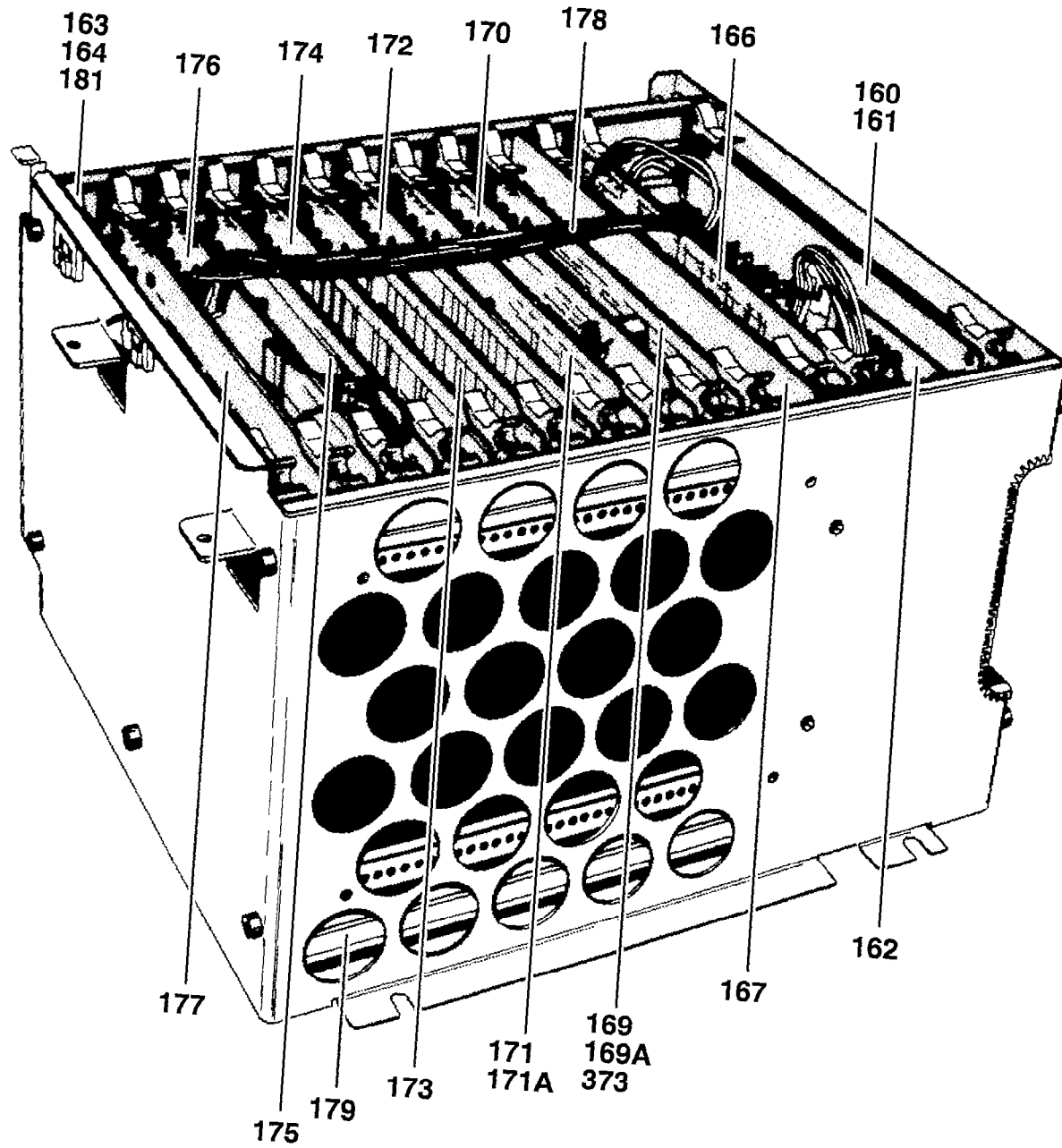
**Monitor**



ohne Abbildung / without illustration: Pos. 108

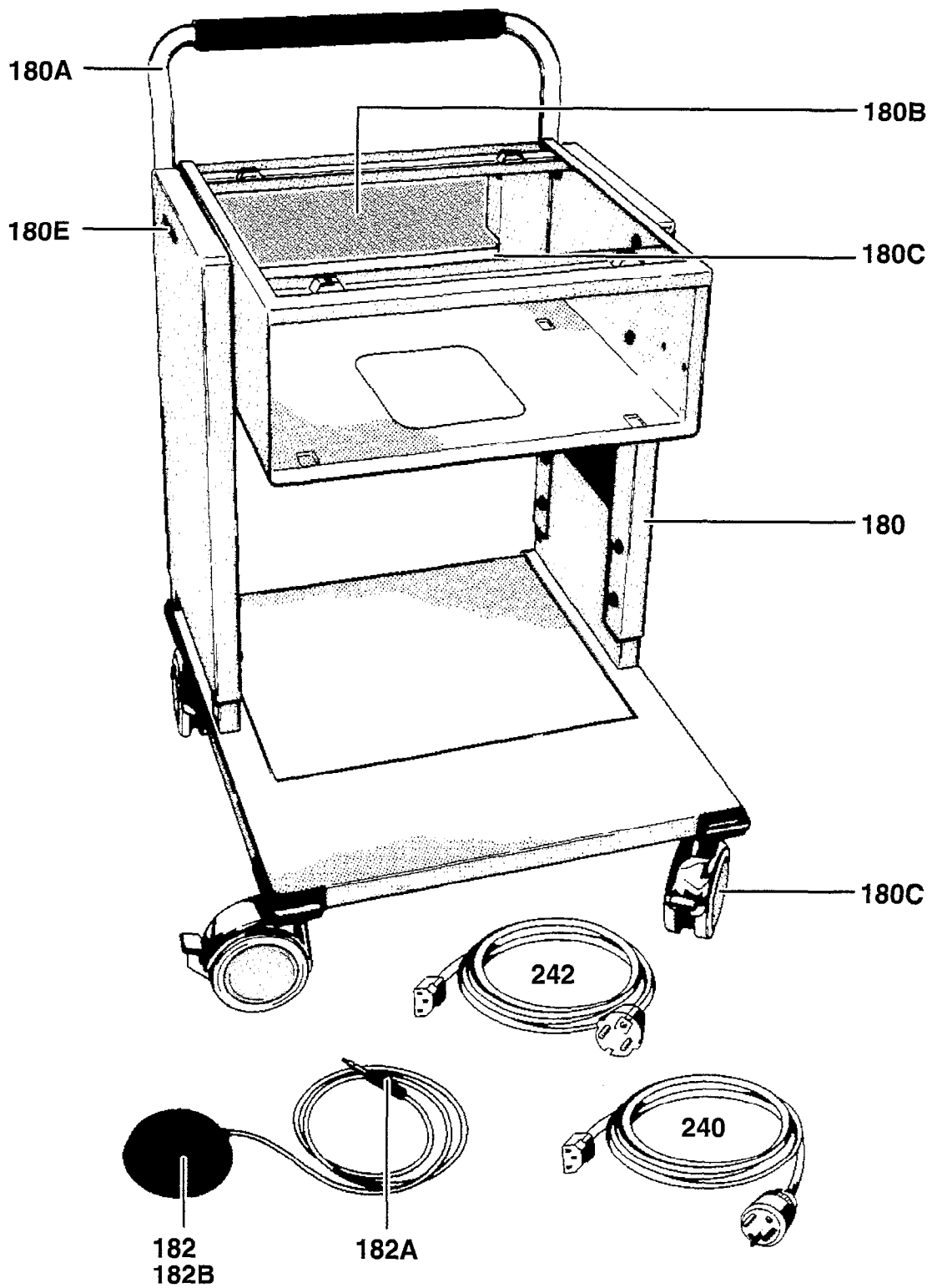
160	A13 SWITCHER	SI		47 76 746	LE007	
(REP)	A13 SWITCHER		A13			500,0G
161	A14 JUMPER BOARD	SI		47 76 621	LE007	450,0G
162	A21 ECG AMP	SI		47 76 779	LE007	470,0G
	A21 ECG AMP		A21			
163	A24 SOFPAK BOARD			47 76 704	LE007	370,0G
	SOFTWARE SL-1 (256K)	SI	A24 8 X 256K	15 64 835	LE007	100,0G
	SOFTWARE SL-1 (256K)		SL1.SI2 8 X 256K			
	QUARZ OSC.4.9152 MHZ	SI		99 07 064	LE005	4,0G
	QUARZ OSC.4.9152 MHZ		Y1/A24,A09			
	IR-REMOTE CONTR. EGB INTEGRATED CIRCUIT	SI		30 50 929	B2386	1,0G
			IC M50117AP			
164 (H)	A24 SOFPAK-2 C	SI		99 05 746	LE007 *	480,0G
(REP)	A24 SOFPAK-2 C		1MB, W/O IR RECEIVER			
	SW/FIRMWARE-KIT SL-1	SI		14 10 450	LE007	100,0G
	SW/FIRMWARE KIT SL-1		3 X 1MB			
	QUARZ OSC.4.9152 MHZ	SI		99 07 064	LE005	4,0G
	QUARZ OSC.4.9152 MHZ		Y1/A24,A09			
166 (M)	LINEAR-2	SI		47 87 321	LE006 *	900,0G
(REP)	BOARD		A31			
167 (L)	A32 ABSTRACTER-4B	SI		99 05 753	LE007 *	559,0G
(REP)	A32 ABSTRACTER-4 B		A32			
	ABSTRAC.-ANNEX A32-1	SI		15 63 985	LE007	30,0G
	ABSTRAC.-ANNEX A32-1		A32-1			
169 (L)	A33 SECTOR-4/SI	SI		15 56 187	LE010 *	540,0G
(REP)	A33 SECTOR-4/SI		A33			
169A	A33-4 SECT.PROM #16815	SI		14 11 110	LE007	40,0G
	A33-4 SECT.PROM #16815		A33/U6			
170 (L)	A34 SUPERVISOR-2/SI	SI		15 62 888	LE010 *	680,0G
(REP)	A34 SUPERVISOR-2/SI		A34			
171 (L)	A35 DIGITIZER	SI		47 90 259	LE005 *	500,0G
(REP)	BOARD		A35			
171A	SOFTWARE A35 (U24)	SI		47 61 177	EE004	40,0G
	SOFTWARE		A35/U24			
172 (M)	A36 CONVERTER-2	SI		47 90 267	LE005 *	502,0G
(REP)	BOARD		A36			
173 (M)	A37 STORAGER-2	SI		47 90 275	LE005 *	620,0G
(REP)	BOARD		A37			
174 (L)	SYNCHRONIZER-2	SI		47 87 222	LE005 *	548,0G
(REP)	BOARD		A38			
	QUARZ OSC.20.5 MHZ	SI		99 07 072	LE005	4,0G
	QUARTZ OSZ.20.5 MHZ		Y1/A38 CCIR			
	QUARZ OSZ.20.664 MHZ	SI		99 07 080	LE005	4,0G
	QUARTZ OSZ.20.664 MHZ		Y2/A38 EIA			
175 (M)	A39 GEOMETRIZER-2	SI		47 90 283	LE005 *	530,0G
(REP)	BOARD		A39			
176 (M)	IMAGER-2	SI		47 87 297	LE005 *	480,0G
(REP)	BOARD		A40			
177 (H)	A41 TRACER-2	SI		47 62 407	EE004 *	500,0G
(REP)	BOARD		A41			
	SOFTWARE A41 (U35)	SI		47 72 380	LE005	30,0G
	SOFTWARE		A41/U35			
178	A21-A40 CABLE ASSY	SI		47 76 787	LE007	310,0G
	CABLE		A21-A40			
179	A29 MOTHERBOARD-C	SI		99 05 779	LE007	1,3KG
	A29 MOTHERBOARD-C		A29			
181	SOFPAK-2 M. RECEIVER	SI		32 22 242	LE007	480,0G
	SOFPAK-2 W. RECEIVER					
	IR-REMOTE CONTR. EGB INTEGRATED CIRCUIT	SI		30 50 929	B2386	1,0G
373	A33 SECTOR-4/LITHOST	SI		99 09 797	LE005	515,0G
(REP)	A33 SECTOR-4/LITHOST		A33 FOR LITHOSTAR ONLY			
	A33-2 SEC ANNEX-LT	SI		15 56 252	LE005	118,0G
	A33-2 SEC ANNEX-LT		FOR LITHOSTAR ONLY			

Card File



180	GERAETEWAGEN # SL-1 UNIT TROLLEY#SL-1	F!		44 83 160 LH122	36,0KG
180A	BUEGEL BRACKET	S!	WEISS/WHITE	47 92 487 LE007	1,9KG
180B	KABELABDECKUNG COVER	S!		47 92 495 LE007	1,1KG
180C	KLETTVERSCHLUSS VELCRO	S!		47 97 908 LE007	5,0G
180D	RAD WHEEL	S!	4	47 92 479 LE007	561,0G
180E	"SIEMENS"-AUFKLEBER STICKER "SIEMENS"	S!		15 61 336 LE005	8,0G
182	FUSSSCHALTER FOOT SWITCH	S!		47 50 774 EE441	470,0G
182A	KLINKENSTECKER PLUG 3POL 1/4"	S!		60 11 415 B1945	27,5G
182B	MIKROSCHALTER MICROSWITCH	S!		10 11 253 B0104	5,2G
240	ANSCHLUSSLEITUNG CABLE	S!	USA 125V 15A	20 59 988 E2009	250,0G
242	NETZKABEL POWER CABLE	S!	EUROPA	15 61 351 LE005	300,0G

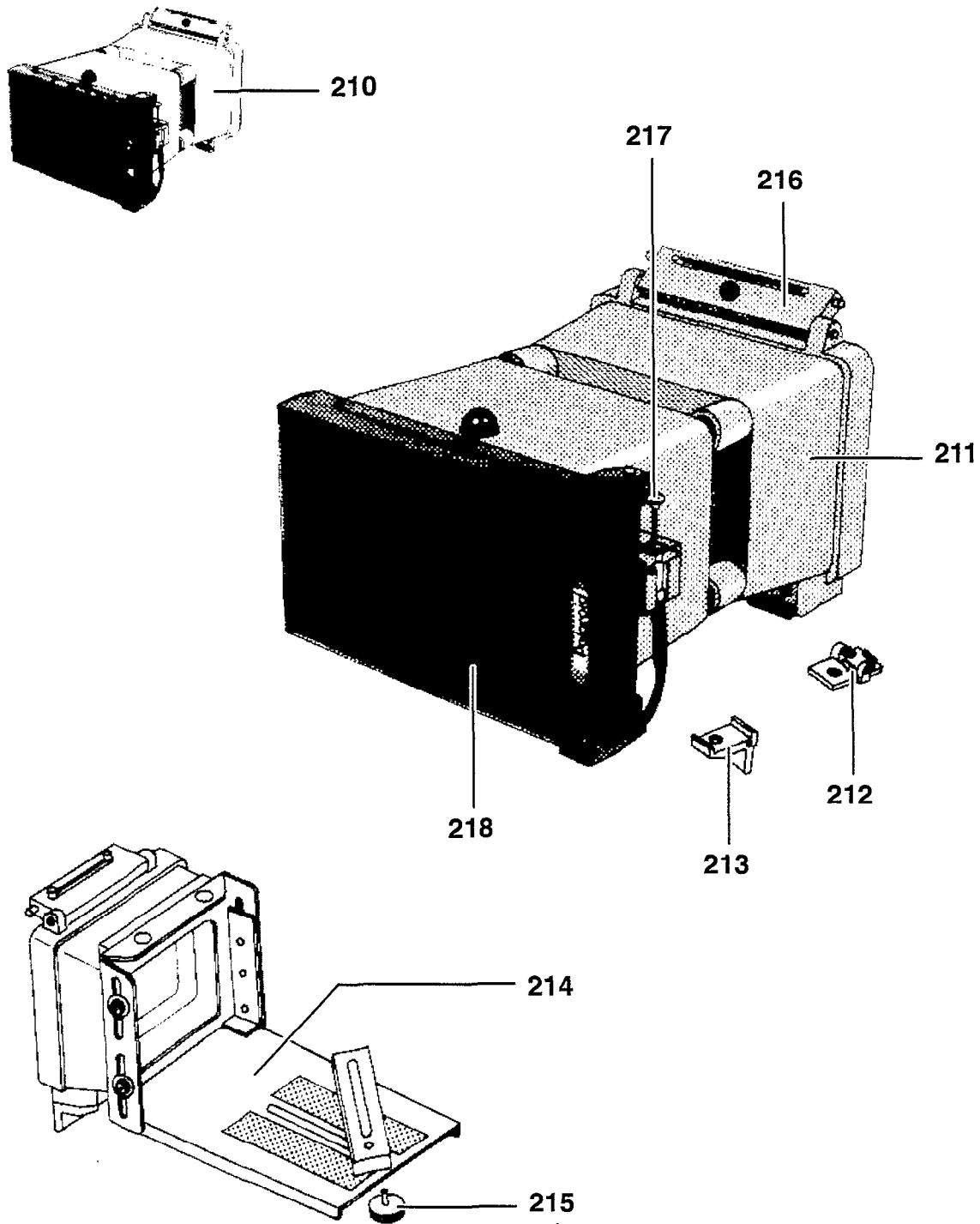
### Carriage



210	POLAROID-KAMERA#SX,LX,SL-1 POLAROID CAMERA#SX,LX,SL-1	S!	84 21 901 L800U	1,8KG
(REP)	POLAROID KAMERA POLAROID CAMERA	S!	57 23 580 EE888	2,0KG
211	TUBUS CONE	S!	47 91 760 EE001	260,0G
212	KLINKE LATCH	S!	47 67 091 EE001	6,0G
213	BETAETIGUNGSHEBEL LEVER	S!	47 67 109 EE001	24,0G
214	HALTERUNG F. KLEINBILDKAMERA#SX HOLDER FOR 35-MM CAMERA#SX	S!	84 21 919 L800U	1,6KG
215	SCHRAUBE SCREW	S!	47 67 117 EE001	26,0G
216	KAMERAHALTERUNG HOLDER	S!	47 91 752 EE001	58,0G
217	DRAHTAUSLOESER RELEASE	S!	47 42 755 EE441	35,0G
218	KAMERARUECKTEIL CAMERA BACK SUPPORT	S!	47 72 927 LE005	298,0G

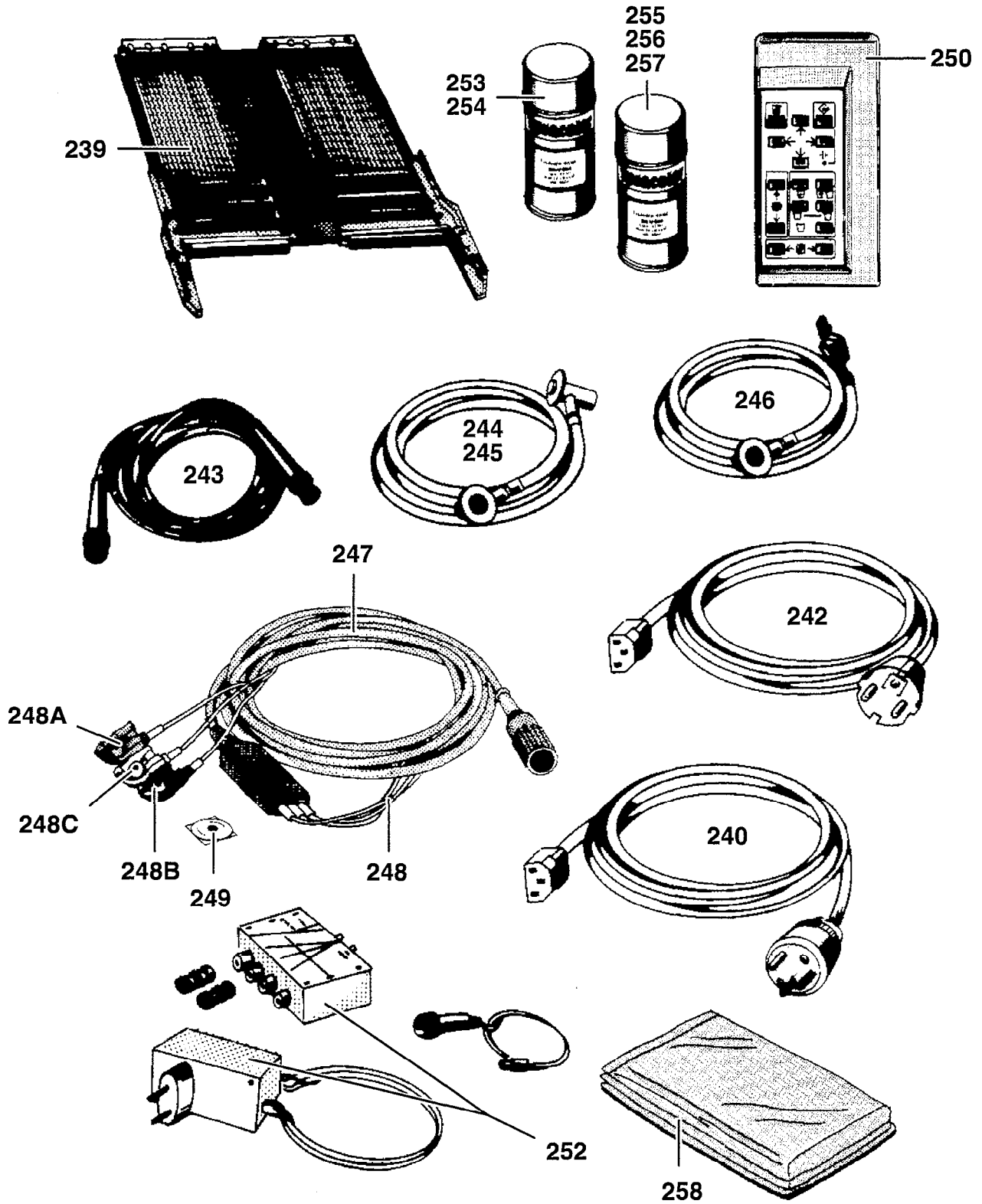


### Camera



239	EXTENSION BOARD EXTENSION BOARD	SI		73 94 943 EE999	670,0G
240	ANSCHLUSSLEITUNG CABLE	SI	USA 125V 15A	20 59 988 E2009	250,0G
242	NETZKABEL POWER CABLE	SI	EUROPA	15 61 351 LE005	300,0G
243	KOAXKABEL M. BNC-ST. ADAPTER CABLE COA.BNC	SI	1,5M	44 29 221 NH029	80,0G
244	ERDUNGSKABEL, CA. 0,8 M GROUNDING CABLE, 0.8 M LONG	FI	0,8M	21 71 882 E2018	0,1KG
245	ERDUNGSKABEL, 5 M GROUNDING CABLE, 5 M LONG	FI	5M	21 71 767 E2018	0,3KG
246	ERDUNGSKABEL, LAENGE 5 M GROUNDING CABLE, LENGTH 5 M		5M	21 71 769 E2018	0,3KG
247	EKG-ZWISCHENKABEL S 3, 3,3 M INTERMEDIATE CABLE EKG S3, 3.3M	SI		45 23 247 EH405	150,0G
248	KABELSATZ 3-POL.KL./C1; 0,5M S4 CABLE SET 3-LEADS GR/C1;0,5M,S4	SI	0,5M	45 23 338 EH405	20,0G
	OP-KABELSATZ 3-POL.KL./C1; 1M,S4 OR CABL.SET 3-LEADS GR/C1;1M,S4	SI	1M	45 23 346 EH405	18,0G
	KABELSATZ 3-POL.KL./C2; 0,5M S4 CABLE SET 3-LEADS GR/C2;0,5M S4	FI	0,5M USA	45 23 726 EH405	0,1KG
	OP-KABELSATZ 3-POL.KL./C2;1M S4 OR CABL.SET 3-LEADS GR/C2;1M S4	FI	1M USA	45 23 734 EH405	0,1KG
248A	ELEKTRODENLEITUNG, ROT, 0,5 M ELECTRODE LEAD, RED, 0.5 M	FI	0,5M ROT/RED	45 23 395 EH405	0,1KG
	OP-KLAMMER, ROT, 1 M OR GRABBER, RED, 1 M	FI	1M ROT/RED	45 23 429 EH405	0,1KG
248B	ELEKTRODENLEITUNG, SCHWARZ, 0,5M ELECTRODE LEAD, BLACK, 0.5 M	FI	0,5M SCHWARZ/BLACK	45 23 403 EH405	0,1KG
	OP-KLAMMER, SCHWARZ, 1 M OR GRABBER, BLACK, 1 M	FI	1M SCHWARZ/BLACK	45 23 437 EH405	0,1KG
248C	ELEKTRODENLEITUNG, GELB, 0,5 M ELECTRODE LEAD, YELLOW, 0.5 M	FI	0,5M GELB/YELLOW	45 23 411 EH405	0,1KG
	OP-KLAMMER, GELB, 1 M OR GRABBER, YELLOW, 1 M	FI	1M GELB/YELLOW	45 23 445 EH405	0,1KG
	ELEKTRODENLEITUNG, WEISS, 0,5 M ELECTRODE LEAD, WHITE, 0.5 M	FI	0,5M USA WEISS/WHITE	45 23 676 EH405	0,1KG
	OP-KLAMMER, WEISS, 1 M OR-GRABBER, WHITE, 1 M	FI	1M USA WEISS/WHITE	45 23 684 EH405	0,1KG
249	EINWEGKLEBE-ELEKTRODEN /EKG ECG ELECTRODES, DISPOSABLE (25)	FI	50 STUECK/PIECE	45 27 750 EH405	0,2KG
250	FERNBEDIENUNG#SL-1 REMOTE CONTROL#SL-1	SI		44 82 220 LH033	130,0G
251	12 V-ANSCHLUSSKABEL#OPTOKOPPLER 12 V CONNECT.CABLE#OPTOCOUPLER	FI		44 82 014 LH039	0,1KG
252	OPTOKOPPLER OTV 101#SONOLINE OPTOCOUPLING OTV 101#SONOLINE	FI		88 18 213 LV039	0,8KG
253	LACKSPRAY LACQUER SPRAY,GR-WH	SI	GRAUWEISS/GREYWHITE	44 13 845 RH090	170,0G
254	LACKSPRUEHDOSE 150ML LACQUER SPRAY G.BROWN	SI	GRAUBRAUN/GREYBROWN	47 18 771 GE999	170,0G
255	LACKSPRAY LACQUER SPRAY WHITE	SI	WEISS/WHITE	84 27 734 RH999	200,0G
256	LACKSPRAY LACQUER SPRAY PETROL	SI	PETROL/PETROL	84 27 718 RE999	182,0G
257	LACKSPRUEHDOSE/ANTHRACIT BOX/ANTHRACITE	SI	ANTHRACIT/ANTHRACITE	96 60 820 SE999	200,0G
258	STAUBSCHUTZHAUBE # SL-1 PROTECTION HOOD#SL-1	FI		88 18 114 LH033	0,2KG

### Accessories



164 (H)	A24 SOFPAK-2 C	SI		99 05 746	LE007 *	
(REP)	A24 SOFPAK-2 C		1MB, W/O IR RECEIVER			480,0G
170 (L)	A34 SUPERVISOR-2/SI	SI		15 62 888	LE010 *	
(REP)	A34 SUPERVISOR-2/SI		A34			680,0G
181	SOFPAK-2 M. RECEIVER	SI		32 22 242	LE007	
	SOFPAK-2 W. RECEIVER					480,0G
	IR-REMOTE CONTR. EGB	SI		30 50 929	B2386	
	INTEGRATED CIRCUIT					1,0G
371	DOPPELMONITOR OT-MOD	SI		12 90 001	JE888	
(REP)	DOUBLE MONITOR OT-MOD					17,0KG
372	LICHTW.L.-SCHNITTST.	SI		99 09 805	LE005	
	FIBER OPTIC INTERFACE		A24-2 RS232CI/F			182,0G
373	A33 SECTOR-4/LITHOST	SI		99 09 797	LE005	
(REP)	A33 SECTOR-4/LITHOST		A33 WITH ANNEX-LT			515,0G
	A33-2 SEC ANNEX-LT	SI		15 56 252	LE005	
	A33-2 SEC ANNEX-LT					118,0G
374	HAND AUSLOESER D28			97 57 550	J1016	
	BOARD		D28			60,0G

# SONOLINE SL-1 (Lithostar version)

