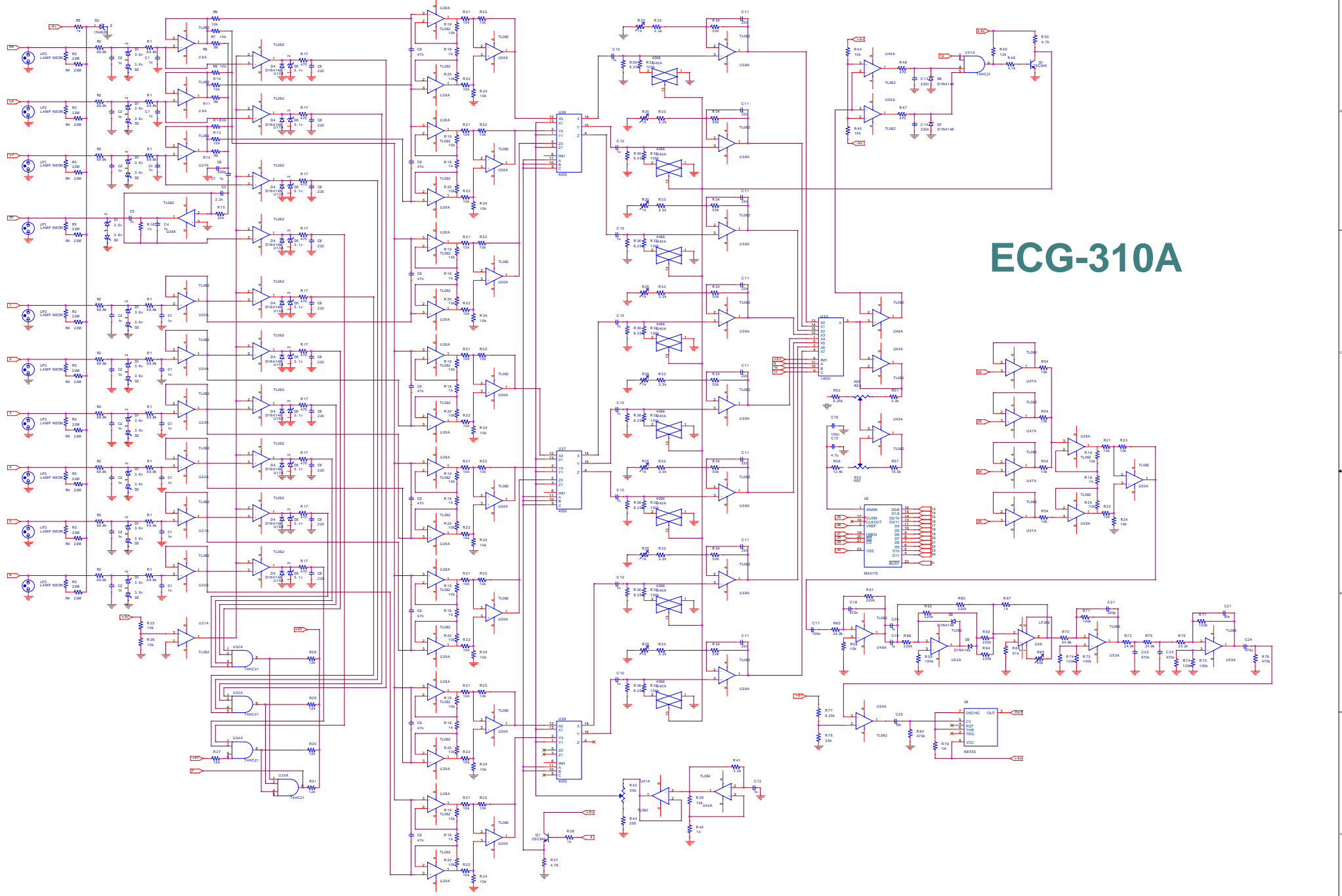


IN



ECG-310A

REV	ECG-310A	
REV	Revision Number	1.0
REV	Author	John Doe
REV	Date	2023-10-27